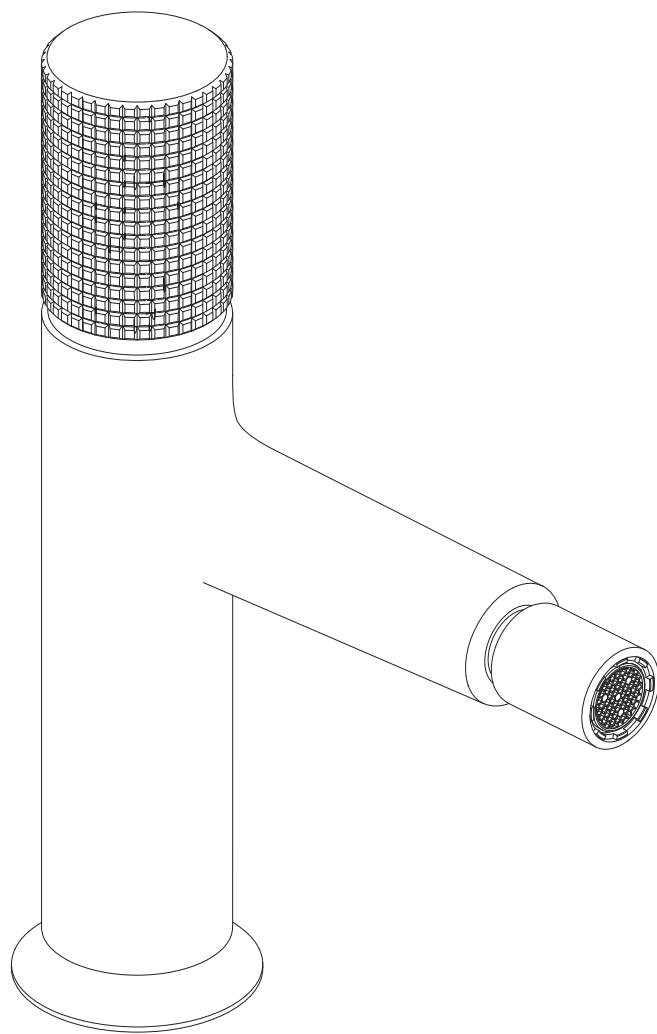
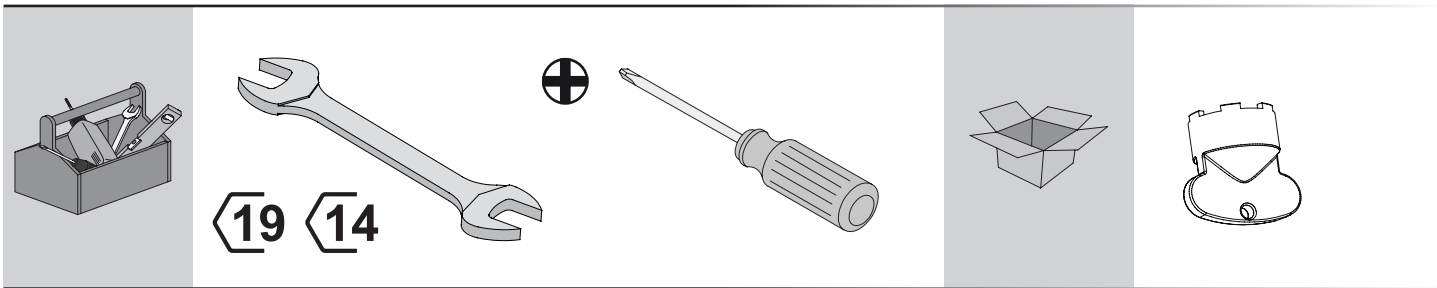


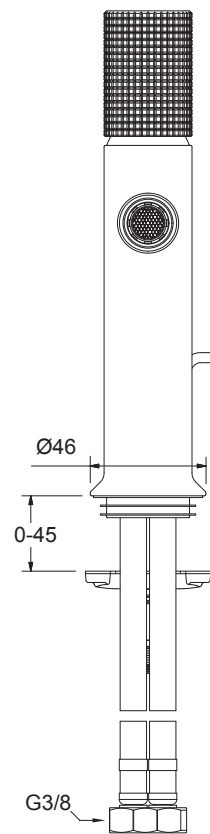
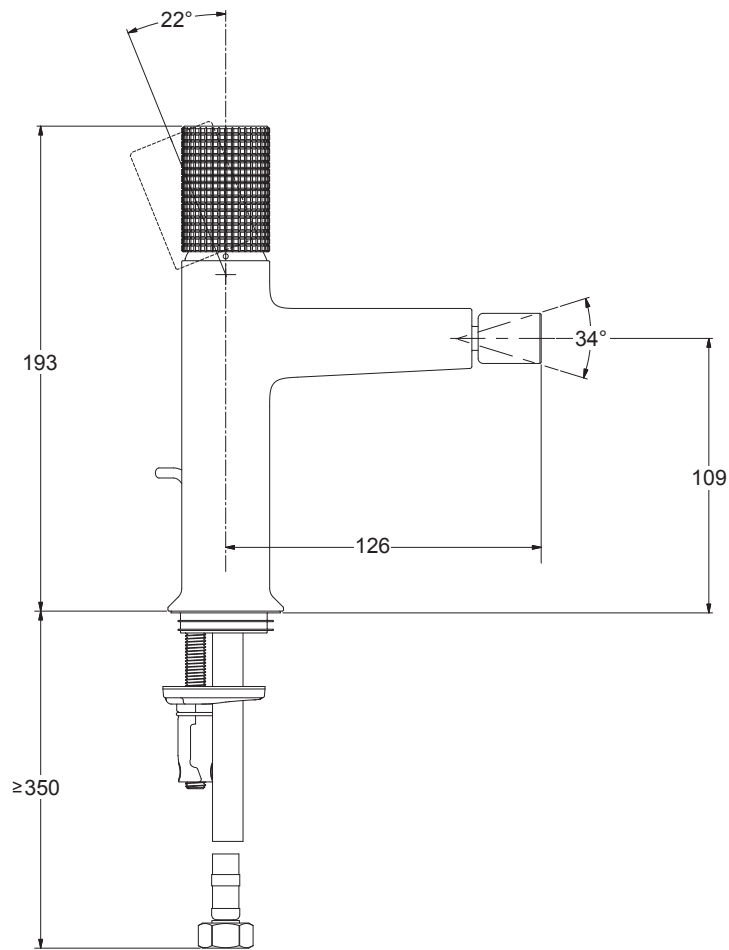
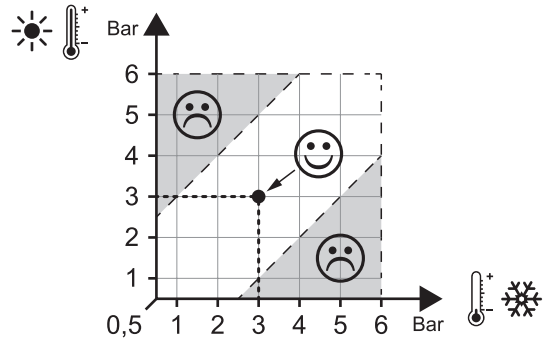
Jacob Delafon



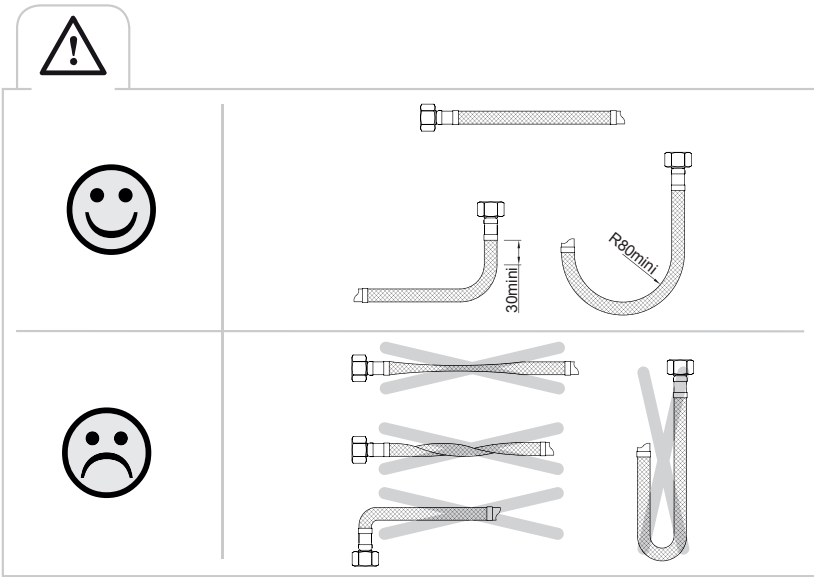
RIVOLI



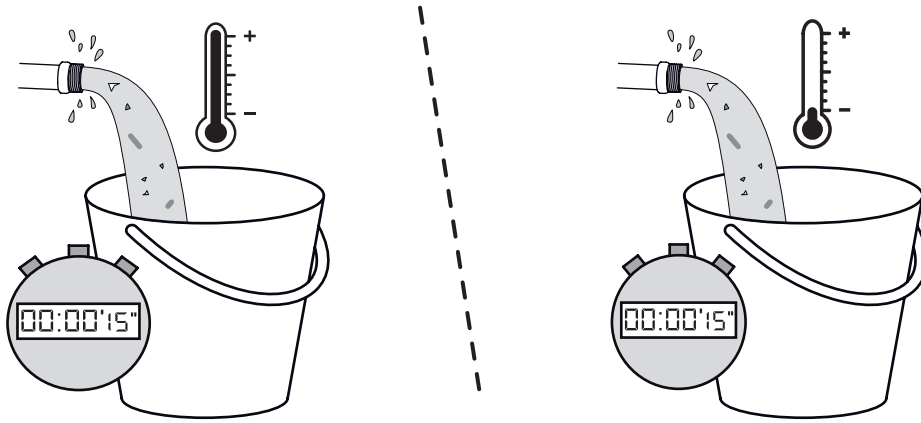
	Bar	0.5 < 3 < 6
	°C	55 < 60 < 65



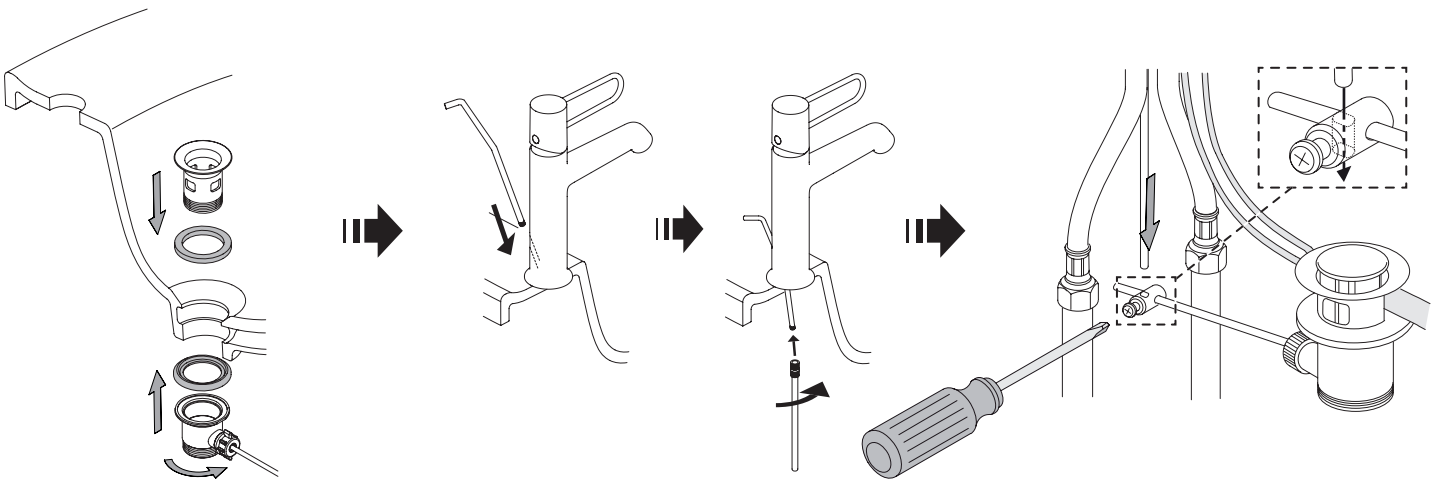
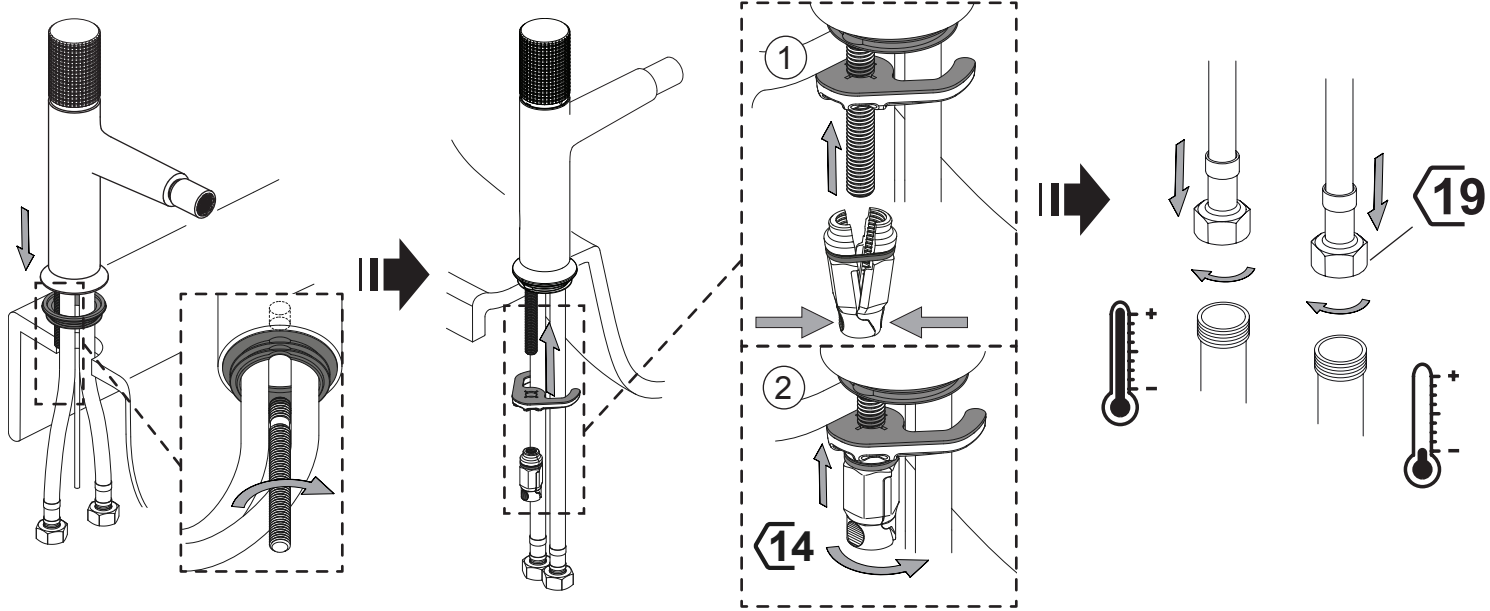
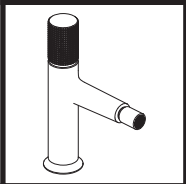
E24167-**



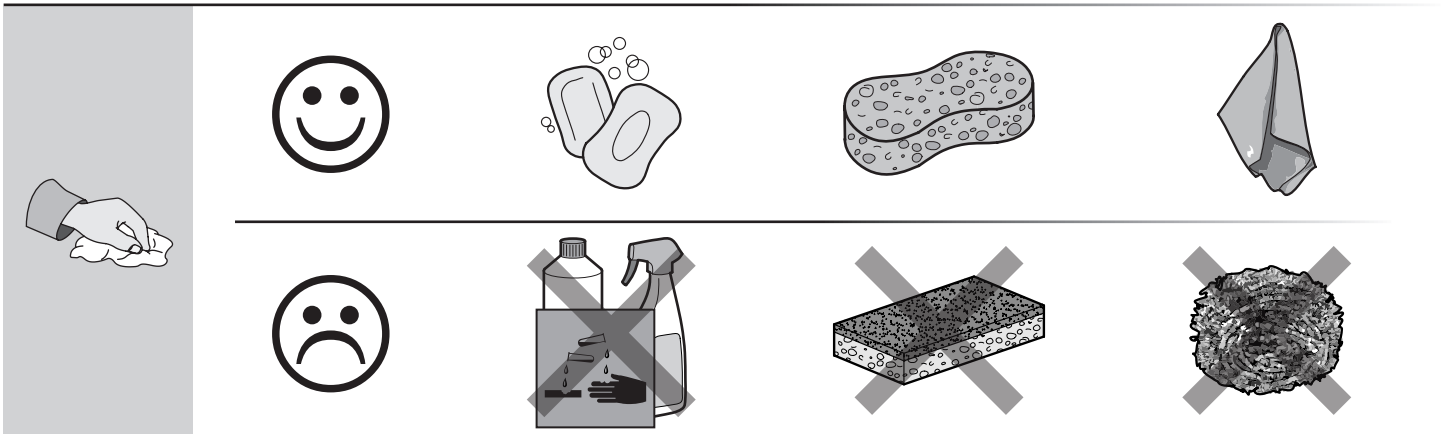
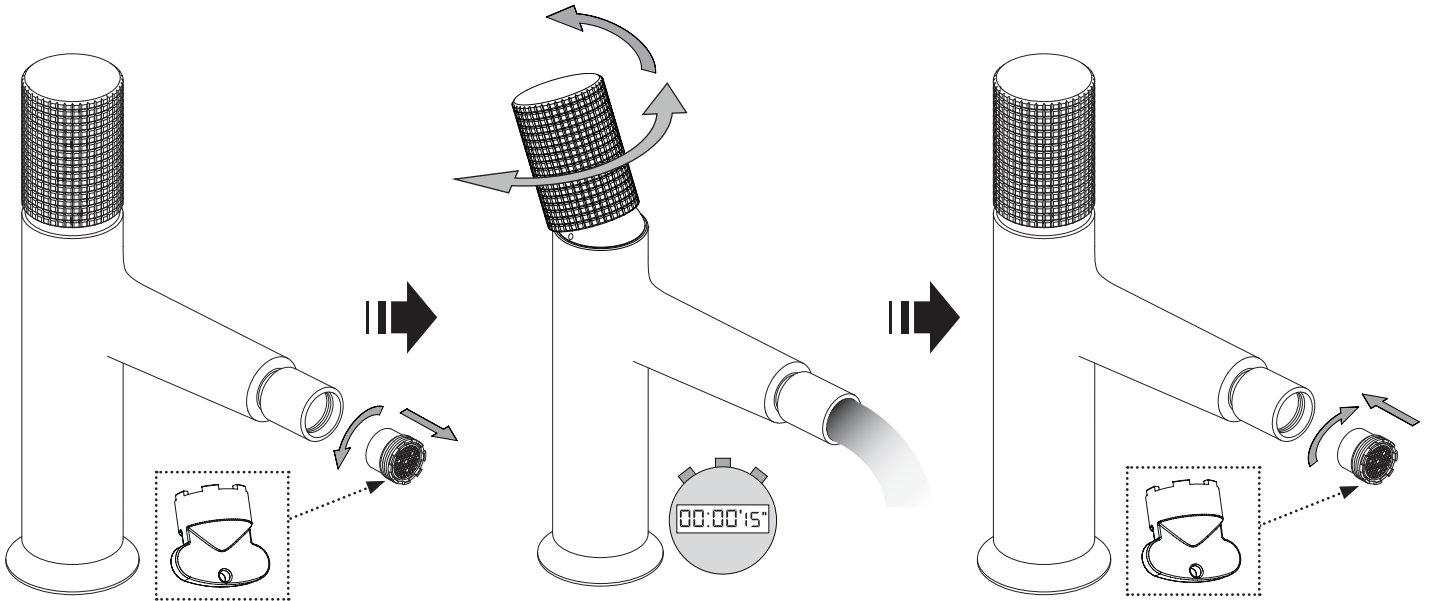
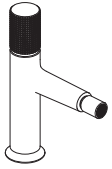
1

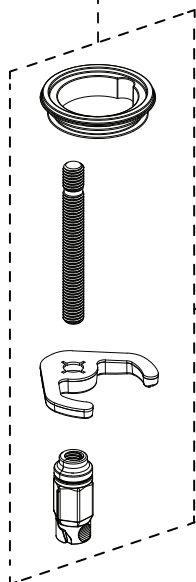
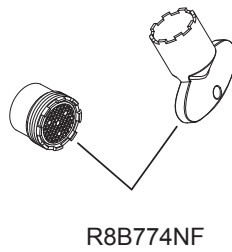
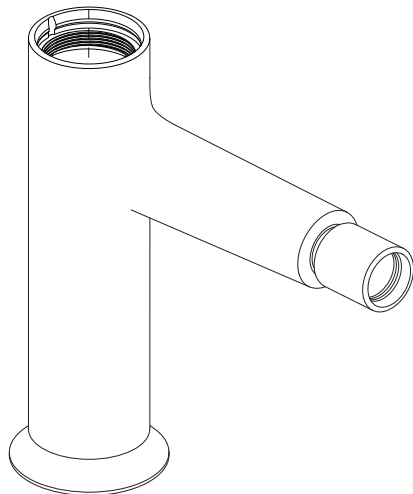
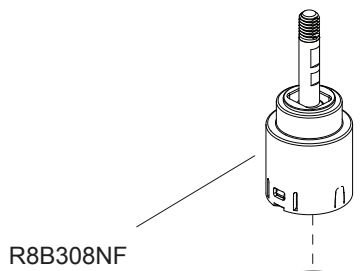
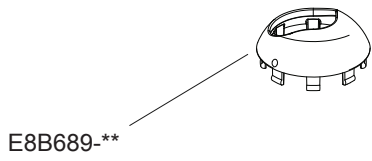
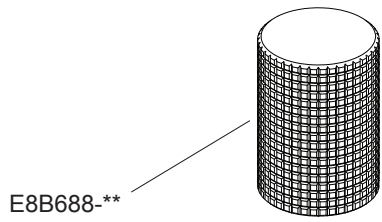


2



3





R8B656NF

Jacob Delafon