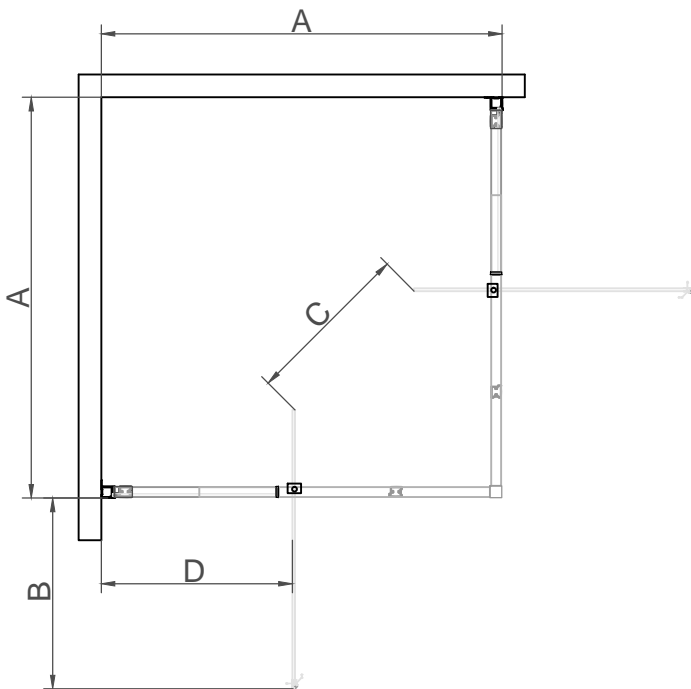
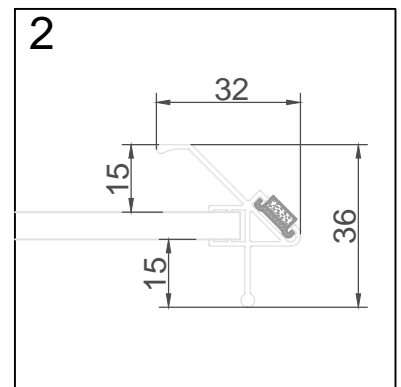
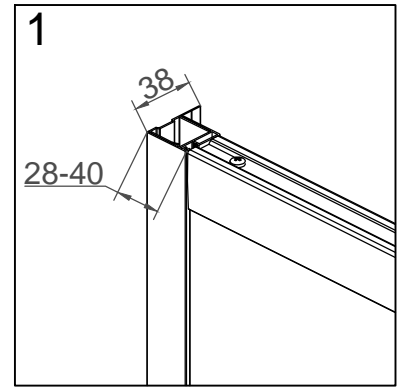
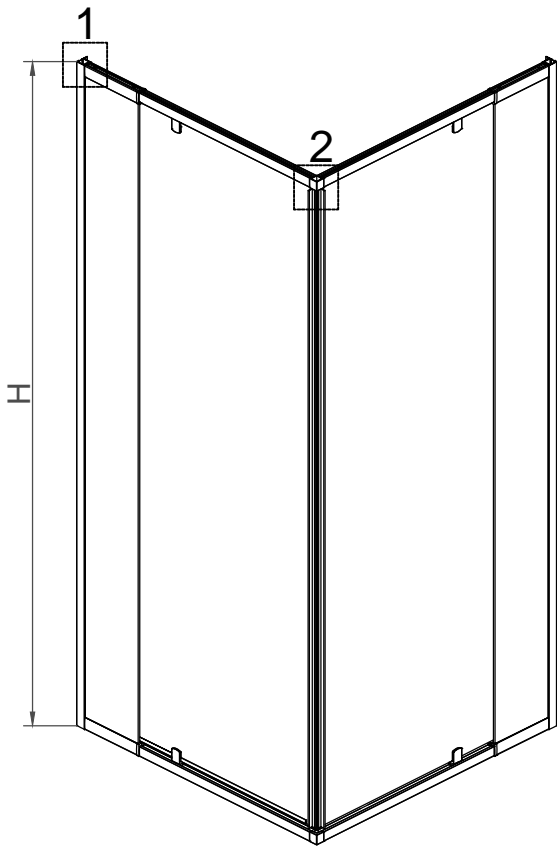


# RGW PA-38



	A	B	C	D	H
800x800x1950	785-900	420	370	320-420	1950
900x900x1950	885-1000	420	370	420-520	1950
1000x1000x1950	985-1100	420	370	520-620	1950